

# ROLLAWAY FENCE

## installation guide



- MESH:
  - Dark Green and black colours permit the best transparency.
  - The mesh disappears to enhance your pool and patio.
- REMOVABLE IN MINUTES
- Supplied in 1, 2, 3, 4 and 5 metre sections.
- You can gain access to the pool wherever two sections meet and latch. The fencing simply rolls back out of the way.
- Stainless steel hooks that children cannot open due to the rigidity of the fence.
- Sections roll up for compact storage.
- Never needs maintenance.
- Caps cover the small holes.

- Strong, tight mesh does not permit climbing. The mesh will not rip, rot, fade or tear.
- Toys cannot pass through or under the fence.
- Height 1.22m.
- Security hooks.
- All fences come fully assembled with the posts attached to the mesh and shipped with 1 sleeve, 1 cap per pole and 1 latch per section.



## INSTALLATION

Install the fence with the hooks on the inside, so the posts are outside from the swimming pool.

For a better look, use 5m sections as much as possible.

Utilise the shorter sections only where necessary.

Lay out the fence around the swimming pool.

The fencing is supplied in 1m, 2m, 3m, 4m and 5m sections.

Drill the holes - hole size is 3cm.

To drill the holes, mark around the base of the post and refer to each section individually to ensure you have the correct spacing between the holes. Work your way along each section stretching the mesh between the posts making drill markers on the ground.

## GROUND FIXINGS

The first method is to make holes (15cm/15cm), fill with cement and place the sleeve for the post in the ground. Prepare each post one at a time to ensure precise measurement between them.

The second method is to install the post into paving with the PVC sleeve.

For drilling in to material such as stone, sand and wood use the 1m PVC sleeve. Cut it to length (approx 20cm), insert the tube and fill the surrounding hole with cement.

Lastly use the galvanised stake and drive in at appropriate intervals one section at a time.

## GATES

Access can be gained to the pool wherever 2 sections meet and latch. Simply unlatch the section, lift out one or both attaching posts, then swing them back to lean against the rest of the fence. To meet AFNOR safety standards a self-closing gate must be fitted (see Plastica's Price List).

## HOOKS

Screw the hooks slowly into the pre-drilled posts.

## CUSTOMISING THE FENCING

If you need to customise a section you will firstly need to remove the screws in the post, then simply fold the mesh back to the desired length and re-attach the pole over the folded mesh. Trim off excess mesh.

## NUMBER EACH SECTION

This will make it easier if you wish to remove and replace the fence.

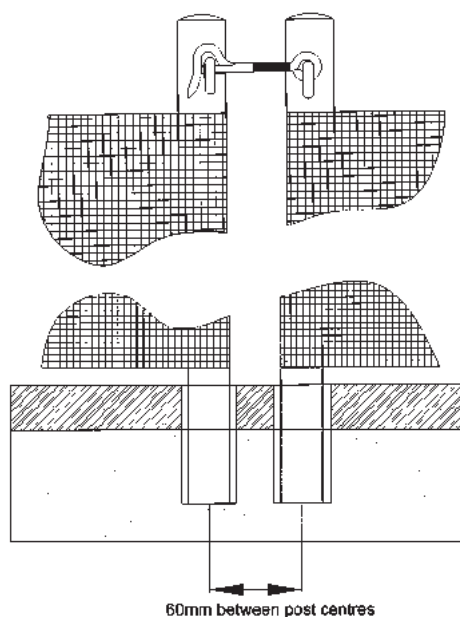
When the fence runs in a straight line, holes should be drilled vertically.

Where the fence is turning, the fence posts should lean slightly away from the turn so that when tension is placed on the fence the poles will pull straight.

Look at the hole in front and behind the one you are preparing to drill. Visualise an imaginary line between the two and see where the hole you are preparing to drill falls along that line.

If it's in line with the other holes, drill the hole vertically.

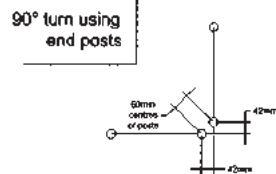
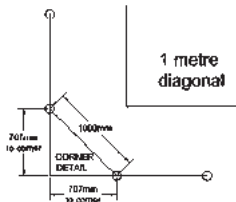
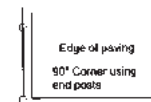
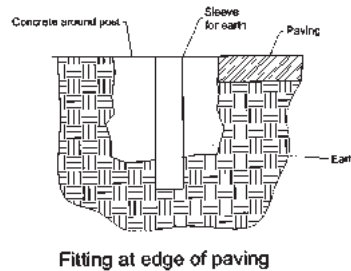
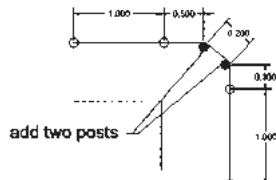
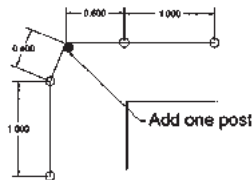
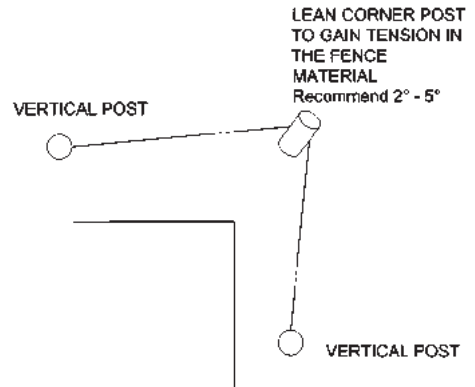
If it isn't in line, lean the pole just enough so that tension is placed on the fence. The pole will then be pulled vertical.



## 90 DEGREE TURNS

You cannot make 90° degree turns with this fence using only one corner post as this places too much stress on the single corner pole. Turns must be accomplished by utilising at least two posts in the turn.

The turn is easily made by either attaching an additional pole to the mesh at the turn, or utilising the double posts where two sections begin and end as shown below.



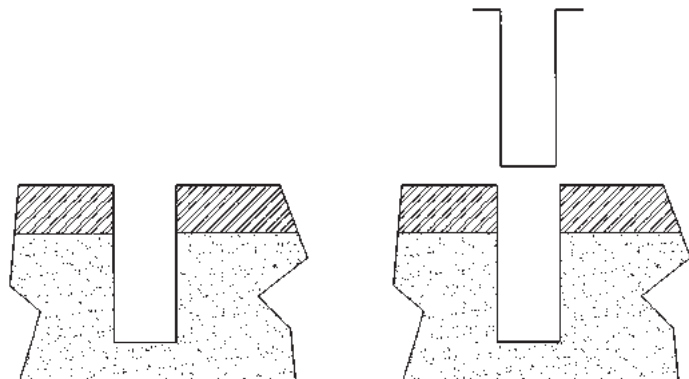
Drill the first hole (3cm).

Put a special glue around the sleeve to fix it in the ground (Epoxy).

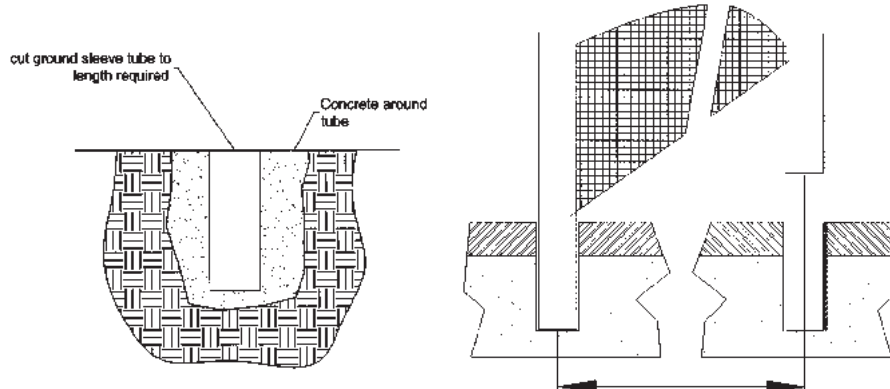
Put the sleeve in the hole and put in the post.

After drilling the first hole stretch the mesh and mark for the second post.

Drill the second hole, put in the sleeve and go on to the other posts.



If you are fixing the fencing into stone or wood etc, then you will need to make a larger hole. Cut the PVC tube to length (20cm) and place it in the hole. The hole should then be filled with concrete to secure the tube.

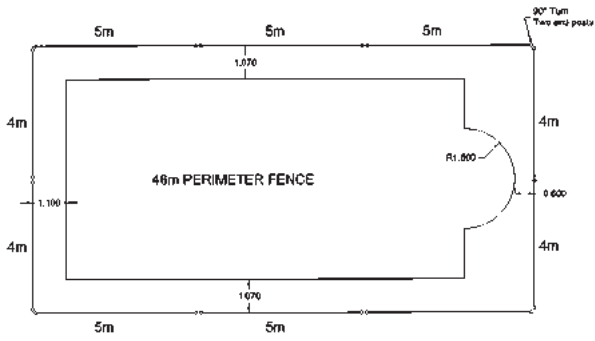


To install the second section:

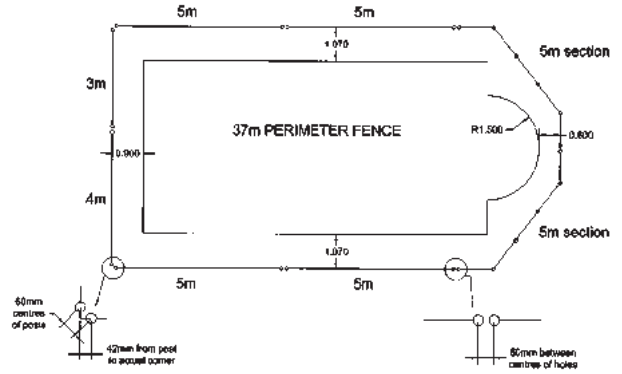
Between the centre of the two posts - you have 0.06cm.

Never do the holes in advance - drill section after section.

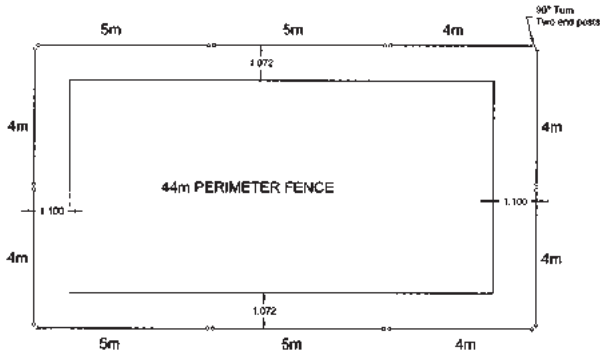
TYPICAL LAYOUT FOR 12m x 6m POOL WITH ROMAN END



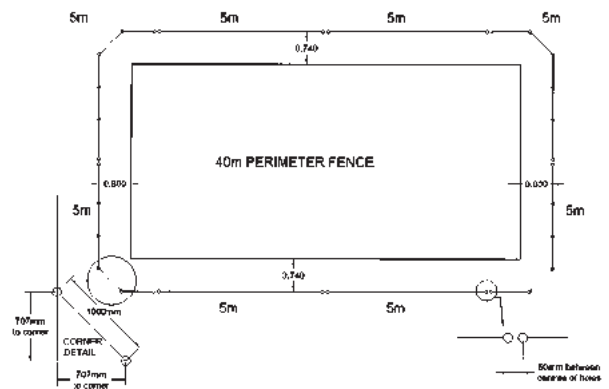
ALTERNATIVE LAYOUT FOR 12m x 6m POOL WITH ROMAN END



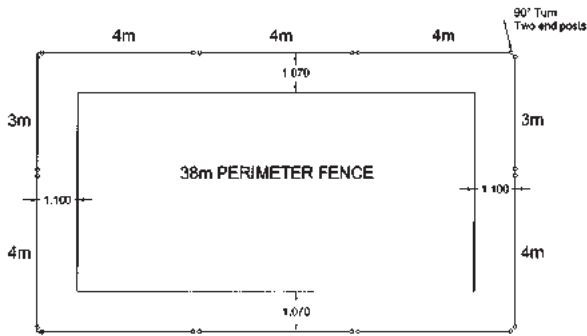
TYPICAL LAYOUT FOR 12m x 6m POOL



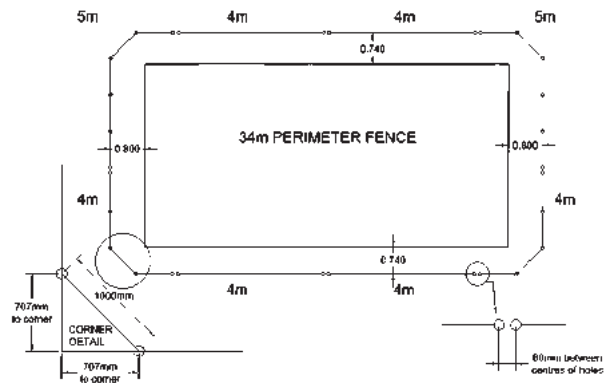
ALTERNATIVE LAYOUT FOR 12m x 6m POOL



TYPICAL LAYOUT FOR 10m x 5m POOL



ALTERNATIVE LAYOUT FOR 10m x 5m POOL



TYPICAL LAYOUT FOR 10m x 5m POOL WITH ROMAN END

