

**LARGE REEL EASY TELESCOPIC 16" - 21"**

8" OUTER (X2)  
 10" INNER  
 STRAP KIT (PACK OF 10)  
 TUBE CLAMP (X2)  
 M6 X 10MM SOCKET BUTTON (PACK OF 10)  
 4MM ALLEN KEY FOR SOCKET BUTTON (X1)

**SMALL REEL EASY TELESCOPIC 12" - 15"**

6" OUTER (X2)  
 8" INNER  
 STRAPS KIT (PACK OF 10)  
 TUBE CLAMP (X2)  
 M6 X 10MM SOCKET BUTTON (PACK OF 10)  
 4MM ALLEN KEY FOR SOCKET BUTTON (X1)

**REEL EASY END STAND COMMON PARTS**

STEERING WHEEL C/W CRANK HANDLE(X2)  
 END BOSS (X2)  
 "Y" PIECE (X2)  
 "Y" PIECE TOP INSERT (X2)  
 END BOSS NO.10X0.5" PAN HEAD POSI -  
 SELF TAPPERS (PACK OF 8)  
 STRAP KIT (PACK OF 10)

Standard reel system kit comprises all the above items.

**A. STANDARD FLOOR STANDING END STANDS**

SMALL REEL SYSTEM  
 LARGE REEL SYSTEM  
 REEL EASY END STAND (X2)  
 RUBBER GROMMET (PACK OF 2)  
 HOLE PLUG (X6)  
 END CAP (X6)

**B. END WALL END STANDS**

SMALL REEL SYSTEM  
 LARGE REEL SYSTEM  
 END WALL END STAND (X2)  
 M8 BOLT AND PLUG (X8)

**C. BASE PLATE FLOOR MOUNTED END STANDS**

SMALL REEL SYSTEM  
 LARGE REEL SYSTEM  
 BASE PLATE END STAND (X2)  
 M8 BOLT AND PLUG (X8)

**D.SLEEVE MOUNTED IN-GROUND END STANDS**

SMALL REEL SYSTEM  
 LARGE REEL SYSTEM  
 SLEEVE MOUNTED END STAND (X2)  
 IN-GROUND SLEEVE (X2)

**E. SIDE WALL END STANDS**

SMALL REEL SYSTEM  
 LARGE REEL SYSTEM  
 SIDE WALL END STAND (X2)  
 M8 BOLT AND PLUG (X8)

**STRAP SET SPARES AND OPTIONAL EXTRAS**

SHORT STRAP 0.4M  
 LONG STRAP 1.5M  
 STRAP BUCKLE  
 BLUE PRESS FIX CONNECTOR (X20)  
 SMALL WEDGE FOR OUTER TUBE (PACK OF 10)  
 LARGE WEDGE FOR INNER TUBE (PACK OF 10)  
 THUMB SCREW

**OPTIONAL EXTRAS FOR FLOOR STANDING END STANDS**

CASTOR PACK  
 CASTOR-BRAKED  
 CASTER-UNBRAKED  
 THREADED DECK ANCHOR SET  
 THREADED DECK ANCHOR  
 BRASS ANCHOR PLUG  
 DECK ANCHOR SPRING  
 MASONRY ANCHOR ASSEMBLY (X2)

CODE NO.

RLTN002  
 RLTN004  
 PRD20040  
 RTC001  
 PRD101  
 KEY003

RLTN001  
 RLTN003  
 PRD20040  
 RTC001  
 PRD101  
 KEY003

PRD00003  
 PRD20007  
 PRD00010  
 PRD00011  
 PRD103  
 PRD20040

PRD200  
 PRD205  
 PRD00012  
 GRO100  
 PLU003  
 PRD00016

PRD201  
 PRD206  
 PRD00035  
 PRC00020

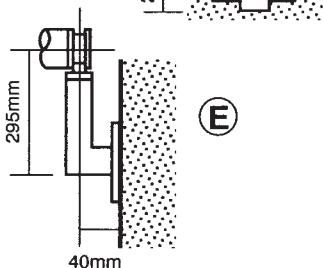
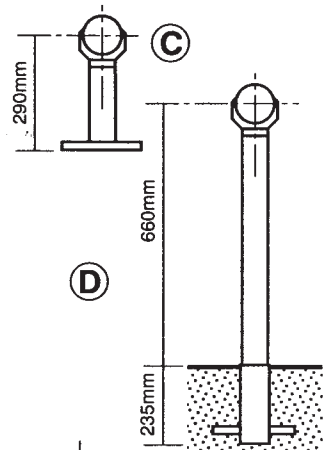
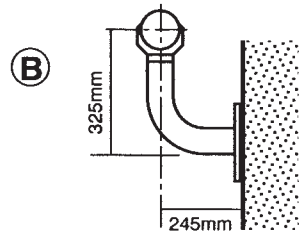
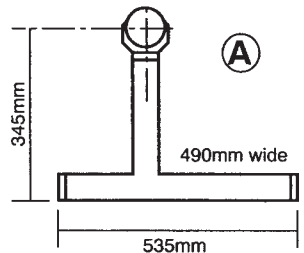
PRD202  
 PRD207  
 PRD00026  
 PCR00020

PRD203  
 PRD208  
 PRD00028  
 PCR00030

PRD204  
 PRD209  
 PRD00036  
 PCR00020

WEB302  
 WEB303  
 BUC100  
 PRD020PFB  
 WED200  
 WED100  
 RTS100

PRD120  
 PRD00020  
 PRD00021  
 PRD125  
 PRD00032  
 PRD00033  
 SPR003  
 PRD606



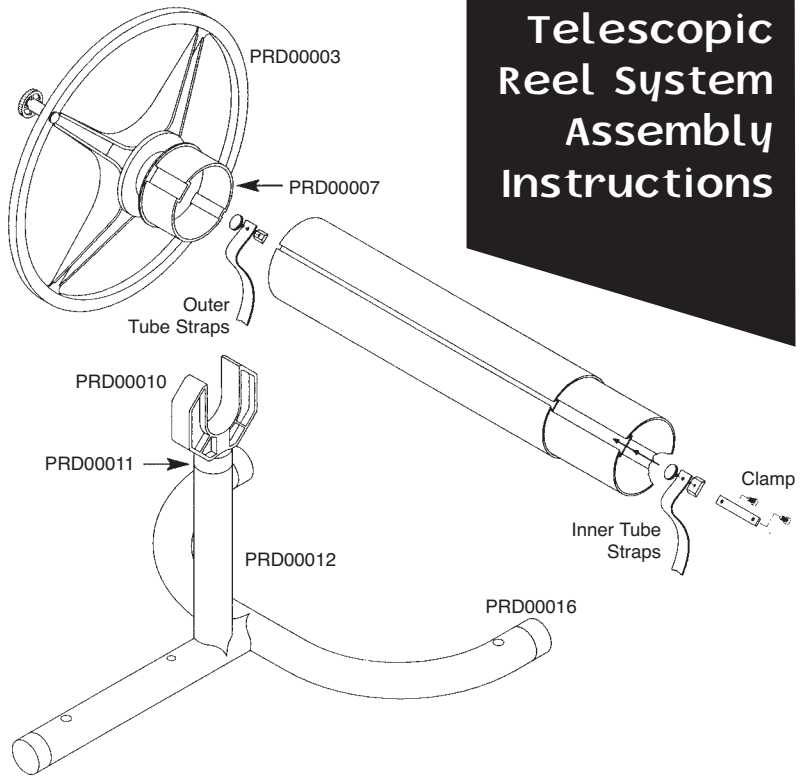
**Plastica**

Please note: Numbers in brackets represent number of items required for complete reel system.

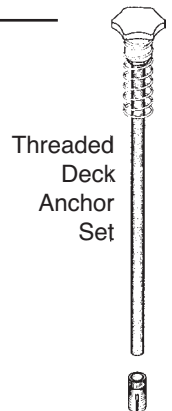
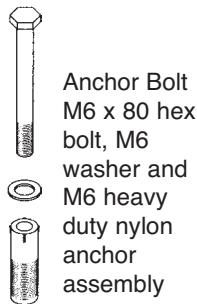
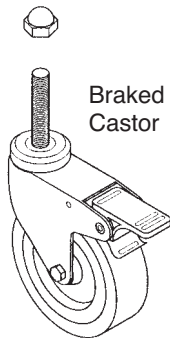
# INSTRUCTIONS



## Slide Lock Telescopic Reel System Assembly Instructions

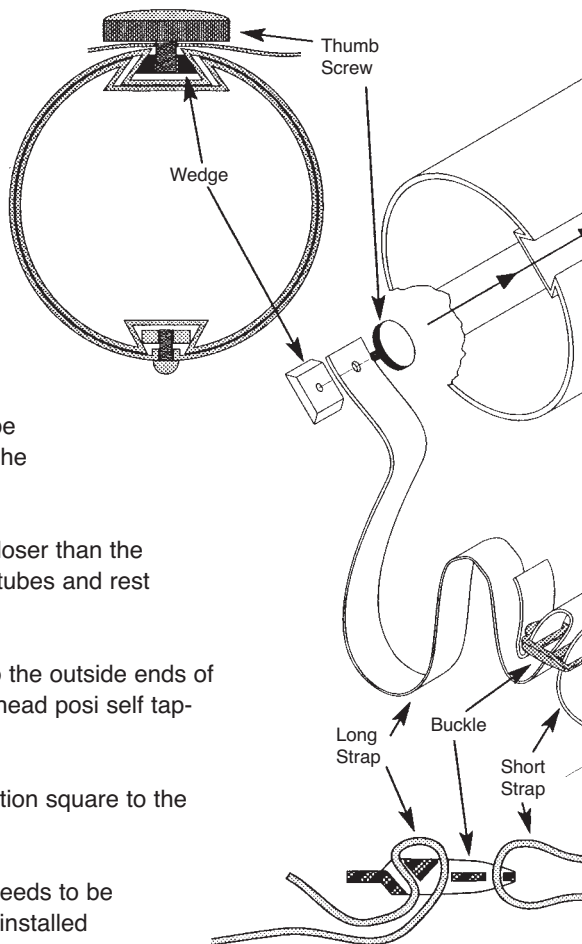


### OPTIONAL EXTRAS



# TUBE ASSEMBLY

1. First decide the number of straps required. Use the guide below.
2. Slide the large wedges if required into the inner tube.
3. Join the tubes together by inserting the smaller tube into the other two. Then secure by screwing the clamp tight with the allen key provided. (These can be left loose if undecided on final tube length) It is recommended that the reel tube is between 6"-12" wider than each end of the cover.
4. Place the reel end stands on the ground closer than the correct distance apart. Lift the assembled tubes and rest temporarily on the Y pieces.
5. Fit the two steering wheels (PRD00003) to the outside ends of the tubes using the two no. 10 x 1/2" pan-head posi self tapping screws (PRD103) (Pack of 8).
6. Place the assembled reel system in a position square to the pool where it will be used.
7. When using ground sleeve model a hole needs to be excavated 6"x6"x1' deep, and the sleeves installed dead vertical in concrete. The sleeves need to be the exact centre of the bearing grooves.
8. The baseplate and wall mount models need to be centered with the bearing grooves. The fixing holes should be drilled and brackets bolted dead vertical.
9. Assemble all the required long straps between the wedge and the thumb screws provided and slide them loose into the tubes. (The inner tube will already have the wedges inside fitted previously).
10. You are now ready to attach the straps to the cover.

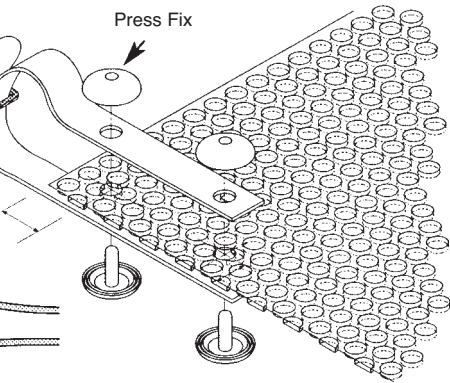
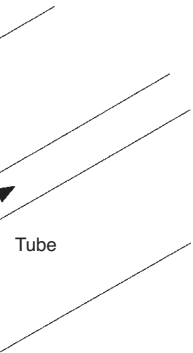


**Please note:** there are spare wedges supplied if closer spacings are required on outer tubes.

GUIDE FOR STRAP REQUIREMENTS			
	Cover width	Inner Tube Straps	Outer Tube Straps
<b>SMALL REEL</b>	up to 10'	0	5
	10' to 15'	1	6
<b>LARGE REEL</b>	15' to 18'	1	6
	18' to 21'	3	6

# COVER ATTACHMENT

1. With the cover cut to the size of the pool as required pull the cover out of the water towards the reel system until the two meet.
2. Start from the middle of the cover with the first strap point and work towards the outside positioning straps at distances no more than 3' (900mm) apart (Ideal strap spacing 2'-3' (600-900mm).)
3. The two outside straps should be 1.5" (40mm) in from the edge of the cover.
4. Fix the short straps and buckle to the cover using the press fix connectors as shown on the drawing. (If the male section of the Press Fix Connector protrudes, trim excess off to eliminate possible damage.)



5. The long straps can now be attached to the buckles and tensioned equally to ensure easy operation.
6. Be sure strap lengths allow the cover to be in complete contact with the water surface when on the pool.
7. Finally, simply make sure the long straps are all square to the reel and cover by sliding the thumb screws into line and tightening.

## NOTE

The reel is best operated as close to the pool edge as possible to avoid the cover rubbing on the copings or pool surround. This can cause damage to

the underside of the cover if the reel is not positioned correctly.

Both reel and cover should be washed down on a regular basis with fresh tap water to stop build up of chemical deposits.

